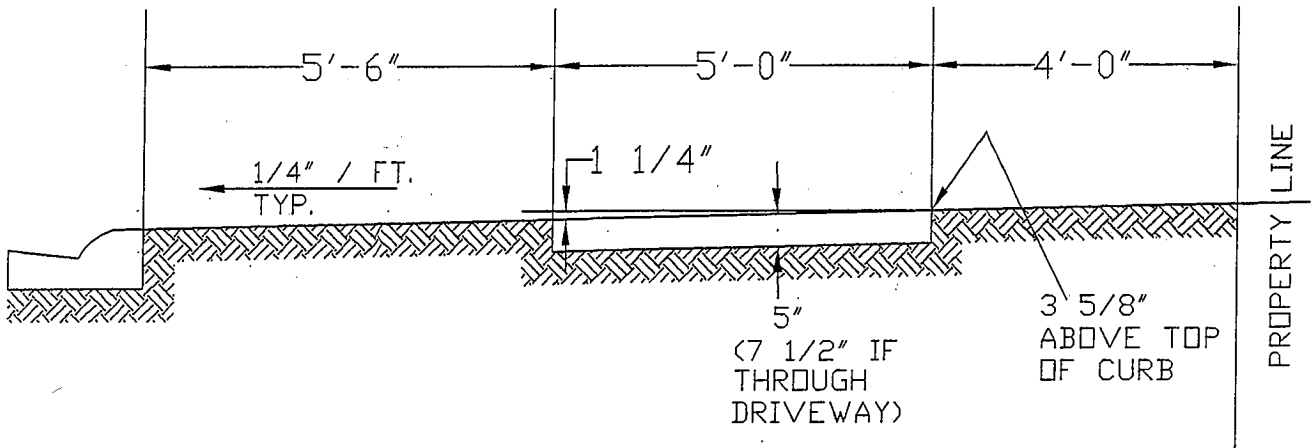


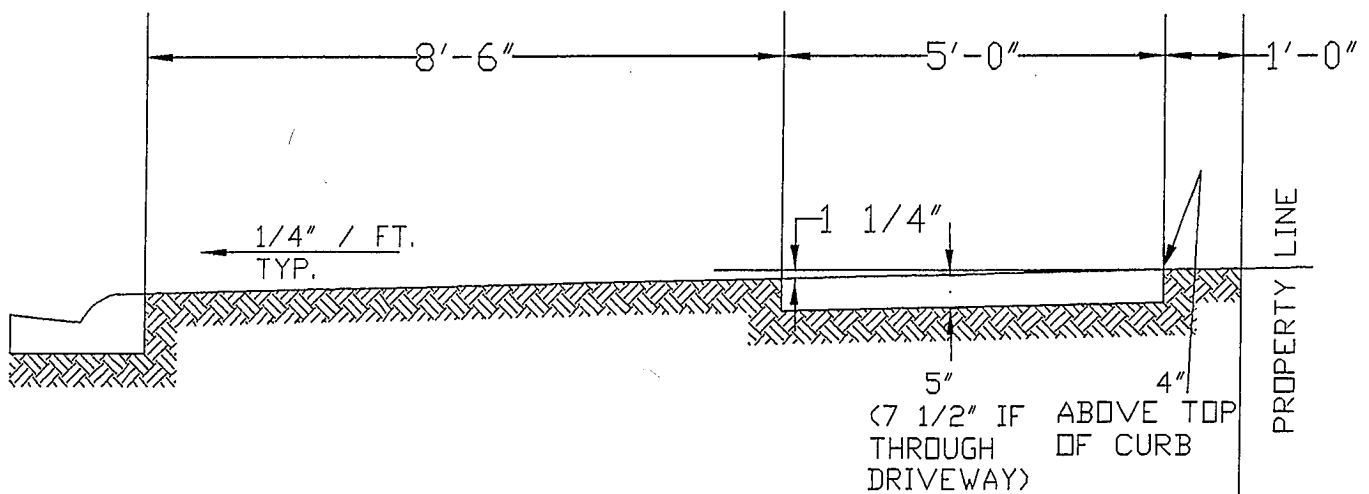
CITY OF SOUTH MILWAUKEE STANDARD WALK SECTION

OFFICE OF THE CITY ENGINEER
SOUTH MILWAUKEE, WISCONSIN

JULY, 1997
DRAWN BY T.R.B.



OLD SIDEWALK LOCATION



NEW SIDEWALK LOCATION

CITY OF SOUTH MILWAUKEE

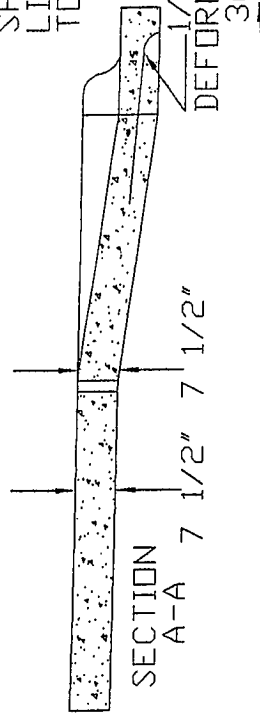
STANDARD FLARED DRIVEWAY

OFFICE OF THE CITY ENGINEER
SOUTH MILWAUKEE, WISCONSIN

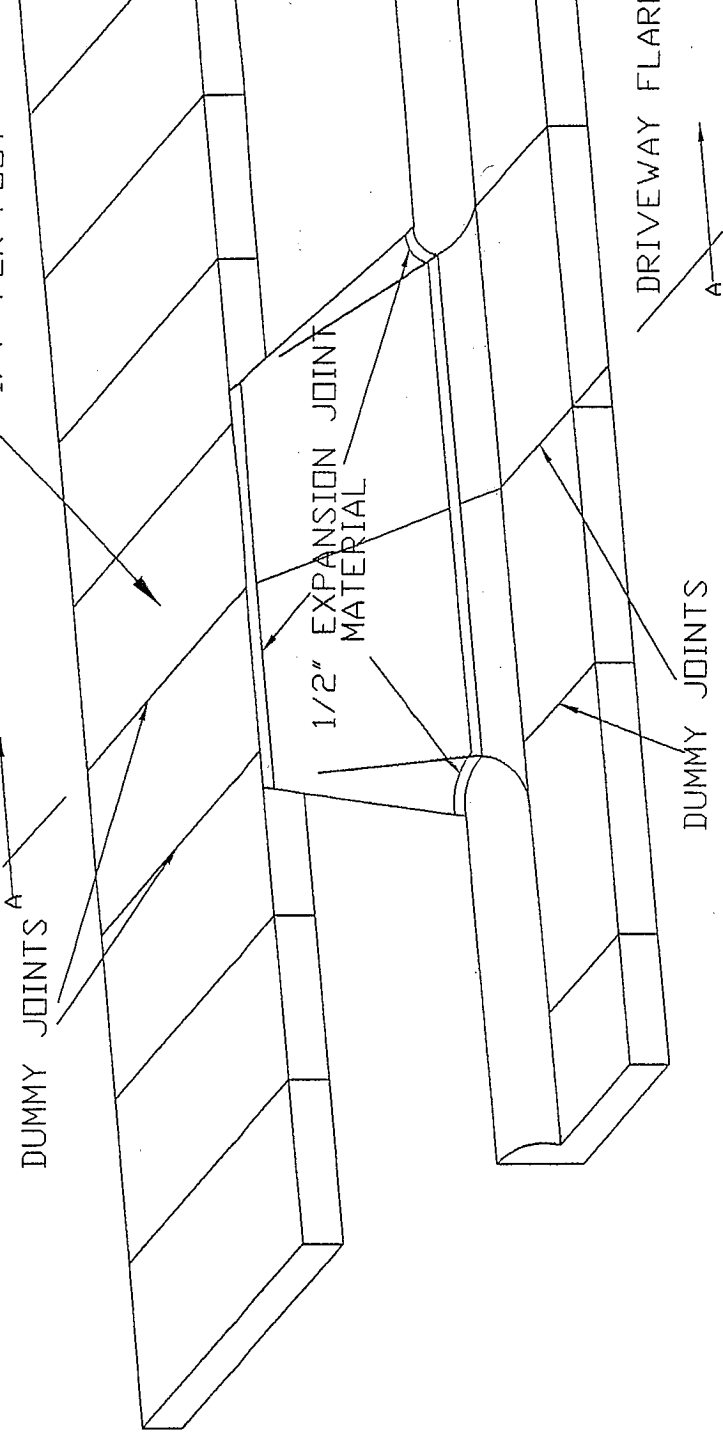
JULY, 1997
DRAWN BY T.R.B.

HEIGHT OF BACKFORM ABOVE FLOW LINE
SHALL BE DETERMINED BY A STRAIGHT
LINE FROM CURB EDGE OF WALK
TO FLOW LINE GRADE

DRIVE THROUGH WALK
SHALL HAVE A PITCH OF
1/4" PER FOOT



DUMMY JOINTS



1/2" EXPANSION JOINT
MATERIAL

DUMMY JOINTS

DRIVEWAY FLARE SHALL BE 3'